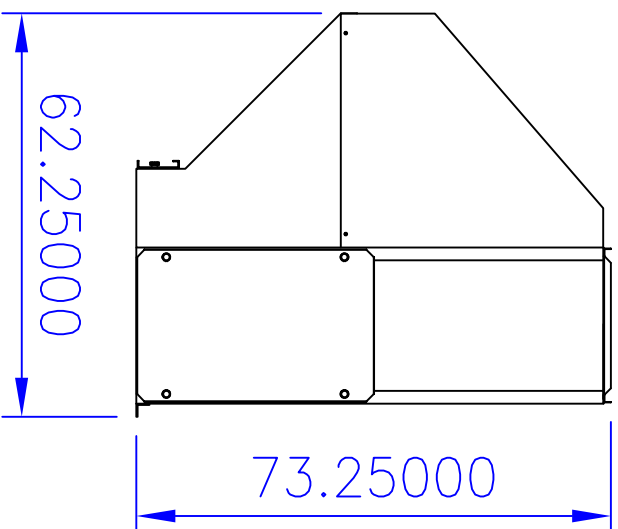
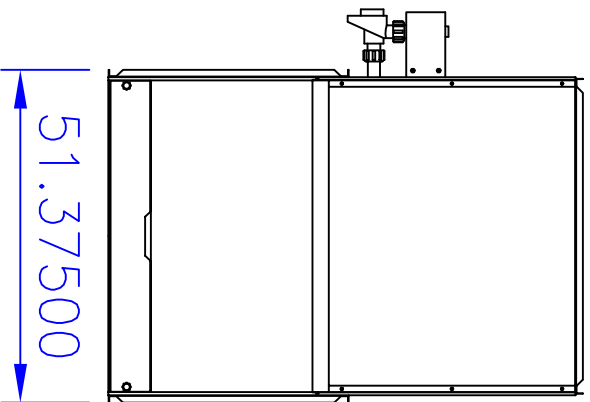
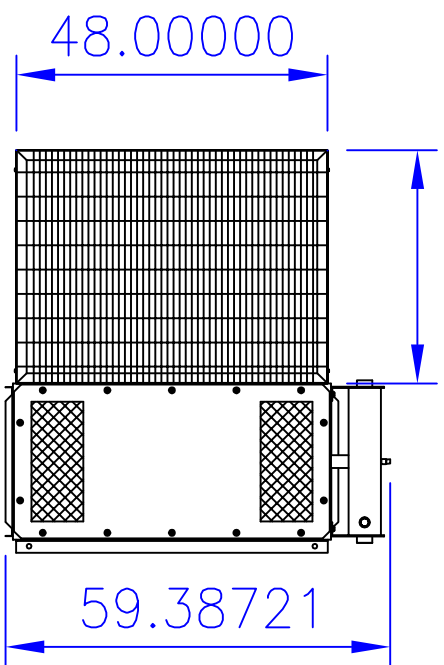


36.00000



DIVERSIFIED  
AIR  
SYSTEMS

DT-34  
AIR FILTRATION UNIT

OUTLINE DRAWING

DRAWING#

DATE: 1/16/06

REVISION

DRAWN BY: W.R.COX

SCALE:

MAT'L: MILD STEEL

GA/TYPE MISC.

SHIPPING WT.

DESIGN TYPE