

Diversified Air Systems, Inc. claims proprietary rights to the material disclosed hereon. This drawing and/or technical information is the property of Diversified Air Systems, Inc. and is issued in confidence for use only as authorized, and may not be reproduced or described or shown to others without written permission from Diversified Air Systems, Inc.

Diversified Air Systems
 Louisville, Kentucky
 PHONE 800-264-8958
 FAX # 502-267-4241

MAXFLO-34
 AIR FILTRATION UNIT

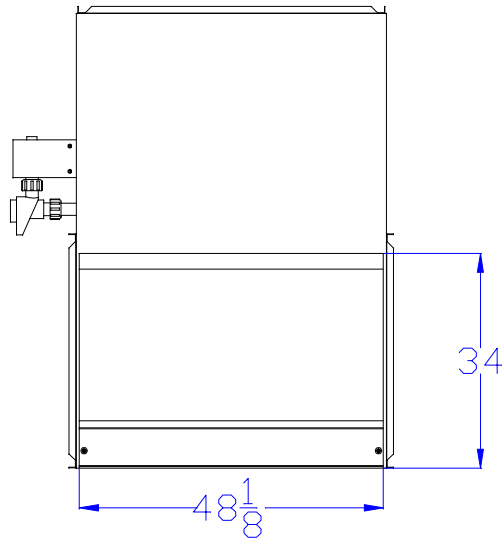
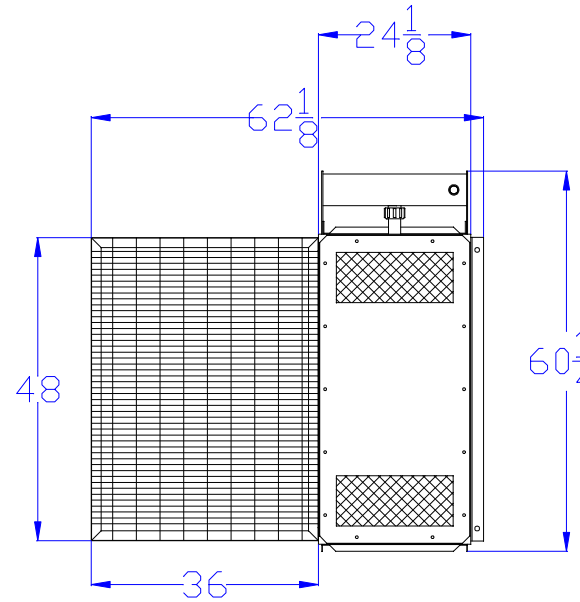
OUTLINE DRAWING

DRAWING#
DATE: 1/16/06
REVISION
DRAWN BY: W.R.COX
SCALE:
MAT'L: MILD STEEL
GA/TYPE MISC.
SHIPPING WT.

DESIGN TYPE

5 Hp
 460/3/60
 3000 CFM
 750 sq ft
 media
 4:1 ACR
 1200 Lbs.

TOP VIEW



FRONT VIEW

SIDE VIEW

